

# 3 & 4 Way Diverter Valves Series D



**3 WAY DIVERTER VALVES**



**4 WAY DIVERTER VALVES**

**Inlets & Outlets  
available in Tube & Pipe  
sizes in Stainless Steel,  
Aluminum & Carbon Steel**

## Standard Features

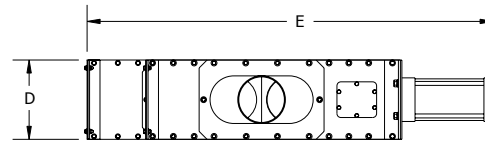
- Manufactured for vacuum or dilute phase (15 PSI max) pneumatic conveying systems
- Unobstructed flow improves system performance and eliminates product degradation
- Install horizontally or vertically allowing simple system design
- Positive Blade Lock (PBL) between blade & cylinder rod
- Internal magnetic piston, cushioned air cylinder
- Polished Stainless Steel blade
- Active Compression Seals (ACS)
- Light weight Aluminum body construction
- Temperature rated for up to 82° C (180° F)
- Inlet/Outlet wall thickness of 16, 14 & 11 gauge, schedule 10, 40 & 80
- Fully tested prior to shipping

## Options

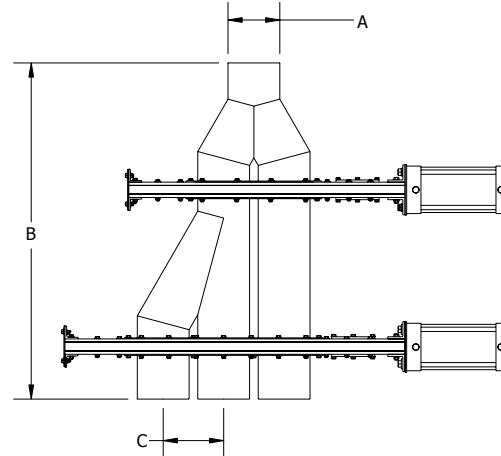
- Position switches 5 volt to 240 volt AC/DC
- Manual Hand Crank, Hand Wheel, Chain Wheel Operation
- Proximity Switches
- Oversized cylinders
- Valve body sealed for air purging when conveying powders
- NEMA 7-9 hazardous locations
- Inlets/Outlets - straight or flanged ends
- Double Acting or Single Acting Spring Return Solenoid (110 volt AC or 24 volt DC) or Manual Lever Valve
- High temperature modifications
- Electric actuation
- Pre-wired Terminal Boxes
- Ceramic Lined or Ceram Back® Inlets/Outlets
- Mufflers (Flow Control or Quick Exhaust)
- Vented Ball Valve (safety feature)
- Filter/Regulator/Lubricator

## 3 Way Diverter Valves

A (OD)	B	C	D	E
1.5"	19.17	2.50	5.00	23.63
2"	19.43	2.50	5.00	23.63
2.25"	21.91	3.50	6.00	29.75
2.375"	25.15	3.50	6.00	29.75
2.5"	22.03	3.50	6.00	29.75
2.875"	25.15	3.50	6.00	29.75
3"	23.50	3.50	6.00	29.75
3.5"	31.89	5.00	7.00	38.25
4"	27.61	5.00	7.00	38.06
4.5"	34.81	6.00	9.00	47.31
5"	33.40	6.00	9.00	47.31
5.563"	39.43	7.00	10.00	51.19
6"	38.90	7.00	10.00	51.19
6.625"	39.87	10.00	11.00	68.06
8"	46.62	10.00	12.00	68.62
8.625"	51.28	12.00	14.00	80.28



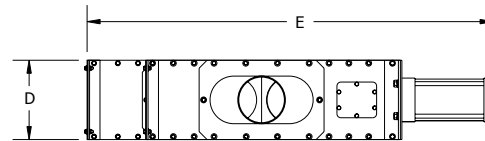
DV3  
Top view



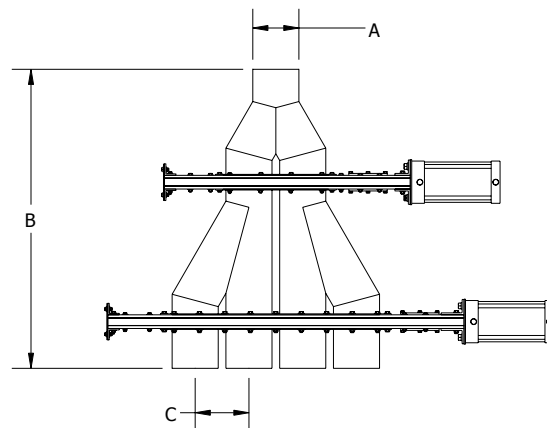
DV3  
Side view

## 4 Way Diverter Valves

A (OD)	B	C	D	E
2"	19.43	2.50	5.00	26.13
2.25"	21.94	3.50	6.00	33.25
2.375"	25.18	3.50	6.00	33.25
2.5"	22.02	3.50	6.00	33.25
2.875"	25.06	3.50	6.00	33.25
3"	23.40	3.50	6.00	33.25
3.5"	31.89	5.00	7.00	43.38
4"	27.61	5.00	7.00	43.38
4.5"	34.81	6.00	9.00	51.19
5"	33.40	6.00	9.00	51.19
5.563"	39.43	7.00	10.00	58.06
6"	38.92	7.00	10.00	58.19
6.625"	39.81	10.00	11.00	77.19
8"	46.62	10.00	12.00	78.50
8.625"	51.28	12.00	14.00	92.00



DV4  
Top view



DV4  
Side view

Available in sizes from 1.5" OD up to 8" sch pipe

Pneumatic actuated 3 & 4 Way Diverter Valve  
for vacuum or pressure\* conveying systems

(\*Dilute phase up to 15 psig max.)