

MACO®

EM-3c Control System

Extrusion Master Control System Specification Sheet

The EM-3c is specifically designed for all extrusion-applications. The operator interface is either a MACO Compact running Microsoft CE.net or the rugged OPTima Touch PC running Wonderware InTouch™ and can be used just for extruder temperature and pressure control or complete line control. A building block architecture has been used to create a standard implementation of an extrusion control system that is applicable to many extrusion processes. Standard control system definitions save valuable engineering time and expense. Preprogrammed components can be connected for true out-of-the-box performance. These built-in functions manage temperature, pressure, and line speed. Ramping and bumpless transfer ensures smooth processing. The temperature card is designed specifically for single-screw, twin-screw, co-extrusion or blown film applications. Fully automatic adaptive tuning (as well as conventional tuning) is provided. Predefined screens and sequence logic greatly simplify installation and setup. Applications that match the predefined screens and logic will not require additional programming. For applications that differ, installers can use the predefined application as the basis for custom control.

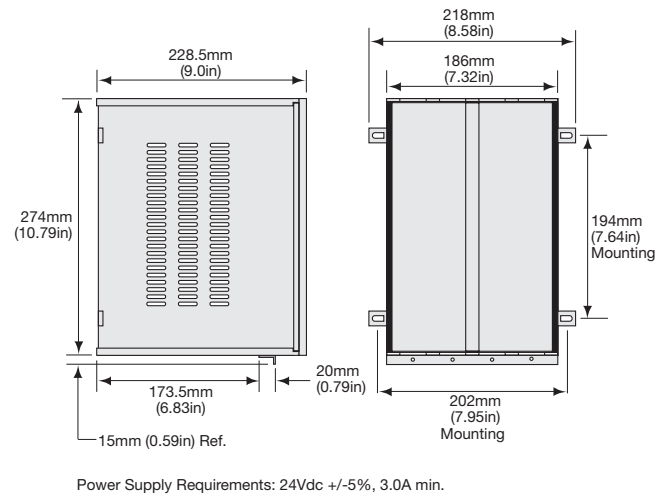
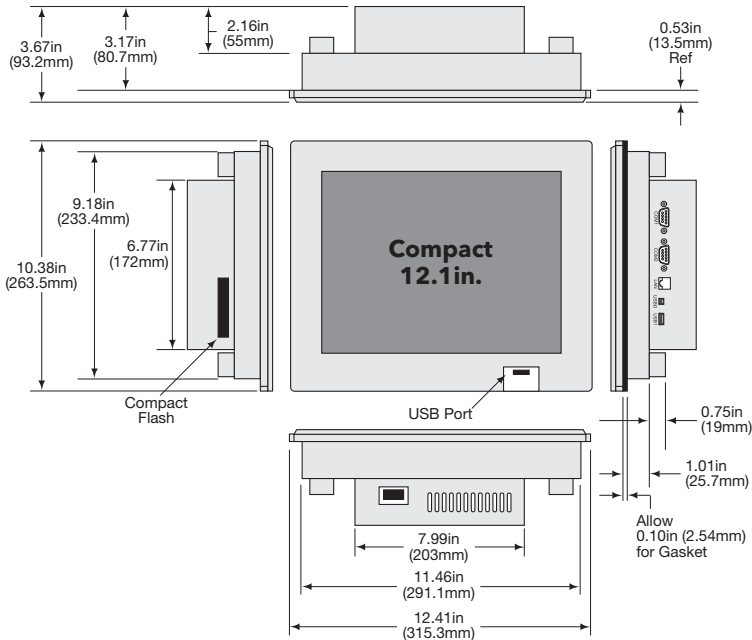
- Choice of operating systems
- Adaptive auto-tuning temperature control
- Melt pressure control
- Extrusion process monitoring & alarming
- Security password protection
- Bumpless transfers
- Alarm logging
- Historic trending
- Multi-lingual for global use
- Ethernet communications



Get the most from your process

Eurotherm®
by **Schneider Electric**

MACO® EM-3c Control System



Specifications

General

General Standards

- Adaptive Autotune Temperature Control
- Ethernet Modbus TCP Comms
- Autotune Pressure Control

Applications

- Pipe extrusion
- Profile extrusion
- Compounding
- Cast film
- Blown film
- Rigid sheet
- Wire & cable coating
- Thermoforming
- Temperature control
- Melt pressure control
- Drive coordination
- Rubber extrusion

Operator Station

- 12.1" Color Hi Resolution Touch Screen
- USB Port for Recipe Storage
- Optional 15" Hi Resolution Touch Screen
- Optional 15" Touch PC Touch Screen

Controller

- Six Analog Inputs for Monitoring, 4 Analog Outputs, 4 DC Digital Inputs, and 4 DC Digital Outputs
- Eight Loops of Adaptive Auto-tuning Temperature Control with 16 Digital DC Outputs
- Ethernet Modbus TCP Comms

Controller Options

- Up to 24 Loops of Adaptive Auto-tuned Temperature control per Block
- Preconfigured for up to 192 Temperature Loops (8 Blocks)
- Customizable Utilizing MACODS/RS Assemblies

Optional Alarm Block

- 16Ch Logic Output
- 16Ch Logic Input
- PLC with Ethernet Modbus TCP and Modbus Ports
- High/Low/Deviation Alarms
- Heater Failure Alarm- Sensor Break

Optional Analog Block

- 2 Pressure Inputs (Closed Loop Pressure Control)
- Ramping
- Bumpless Transfer
- Ratio Control
- 2 RPM Inputs
- 2 Load Inputs
- 8Ch. Logic Output
- 8Ch. Logic Input

Eurotherm by Schneider Electric, the Eurotherm logo, Chessell, EurothermSuite, Mini8, Eycan, Eyris, EPower, EPack, nanodac, piccolo, versadac, optivis, Foxboro and Wonderware are trademarks of Schneider Electric, its subsidiaries and affiliates. All other brands may be trademarks of their respective owners.

All rights are strictly reserved. No part of this document may be reproduced, modified, or transmitted in any form by any means, nor may it be stored in a retrieval system other than for the purpose to act as an aid in operating the equipment to which the document relates, without the prior written permission of Eurotherm by Schneider Electric.

Eurotherm by Schneider Electric pursues a policy of continuous development and product improvement. The specifications in this document may therefore be changed without notice. The information in this document is given in good faith, but is intended for guidance only.

Eurotherm by Schneider Electric will accept no responsibility for any losses arising from errors in this document.

Eurotherm by Schneider Electric 44621 Guilford Drive, Suite 100, Ashburn, VA 20147, Phone: +1-703-724-7300, Fax: +1-703-724-7301, www.eurotherm.com